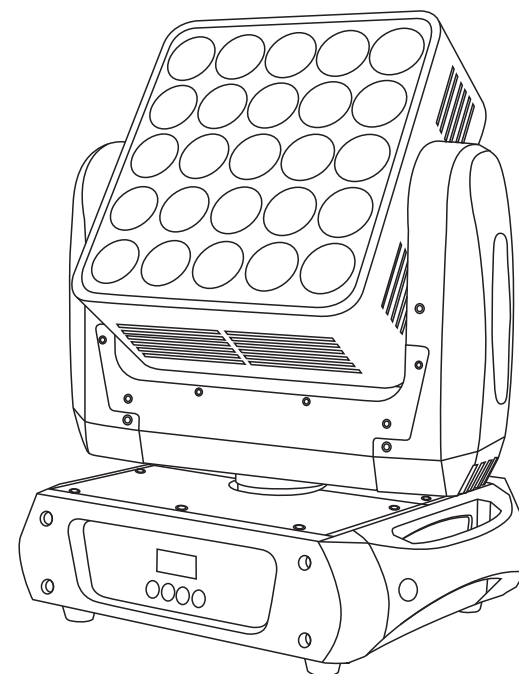


SI-094 MADPANEL 2510F



CE F  IP20 LED  0.2m  t_a 40°C t_c 150°C



ADD 3rd Floor, No. 288, Guangzhu East Line, Pingwen, Lanhe Town,
Nansha District, Guangzhou, China
Tel. +86 20 8499 2310/2320/2330
Fax +86 20 8499 2360
E-mail info@color-imagination.com
Website www.color-imagination.com

**Follow
us on**



www.facebook.com/color.imagination.1



www.youtube.com/user/colorimaginationj



twitter.com/colorimaginej

User Manual

KEEP THIS MANUAL FOR FUTURE NEEDS

1 SAFETY INSTRUCTIONS



CAUTION

Becareful with your operations. With a dangerous voltage you cansuffer a dangerous electric shock when touching wires!

This device has left the factory in perfect condition. In order to maintain this condition and to ensure a safe operation, it is absolutely necessary for the user to follow the safety instructions and warning notes written in this user manual.



IMPORTANT

Damages caused by the disregard of this user manual are not subject to warranty. The dealer will not accept liability for any resulting defects or problems.

If the device has been exposed to temperature changes due to environmental changes, do not switch it on immediately. The arising condensation could damage the device. Leave the device switched off until it has reached room temperature.

This device falls under protection-class I. Therefore it is essential that the device be earthed.

The electric connection must carry out by qualified person.

The device shall only be used with rate voltage and frequency.

Make sure that the available voltage is not higher than stated at the end of this manual.

Make sure the power cord is never crimped or damaged by sharp edges. If this would be the case, replacement of the cable must be done by an authorized dealer.

Always disconnect from the mains, when the device is not in use or before cleaning it. Only handle the power cord by the plug. Never pull out the plug by tugging the power cord.

During initial start-up some smoke or smell may arise. This is a normal process and does not necessarily mean that the device is defective, it should decrease gradually.

Please don't project the beam onto combustible substances.

Fixtures cannot be installed on combustible substances, keep more than 50cm distance with wall for smooth air flow, so there should be no shelter for fans and ventilation for heat radiation.

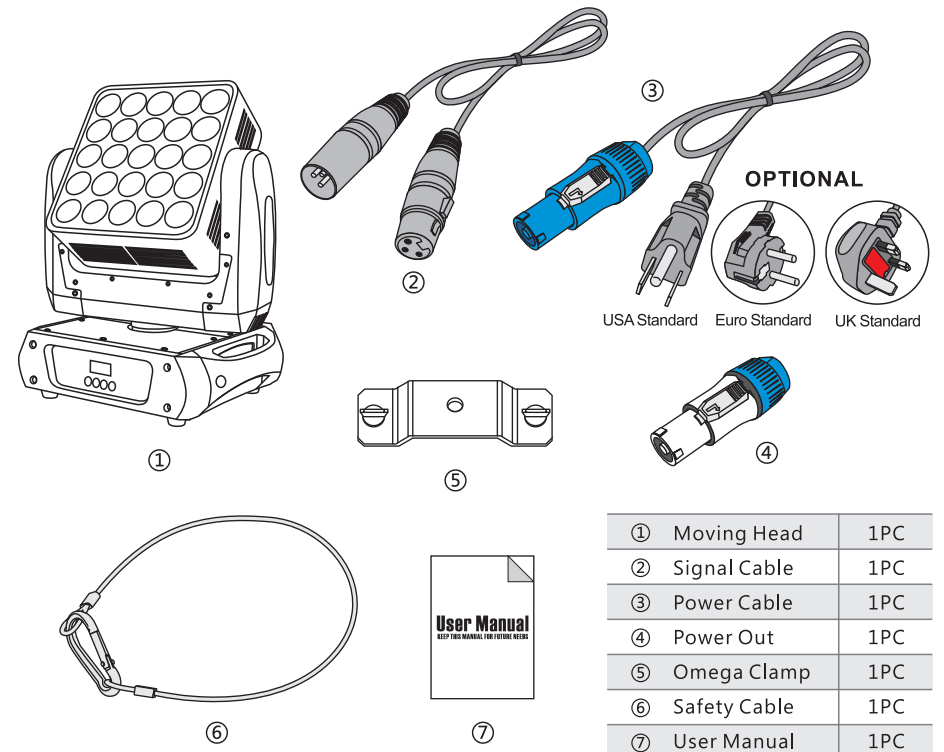
If the external flexible cable or cord of this luminaire is damaged, it shall be exclusively replaced by the manufacturer or his service agent or a similar qualified person in order to avoid a hazard.

2 UNPACKING

Thank you for choosing our MADPANEL 2510F. For your own safety, please read this manual before installing the device. This manual covers the important information on installation and applications. Please install and operate the fixture with following instructions. Meanwhile, please keep this manual well for future needs.

The MADPANEL 2510F is made of a new type of high temperature strength of engineering plastics and cast aluminum casing with nice outlook. The fixture is designed and manufactured strictly following CE standards, complying with international standard DMX512 protocol. It's available independently controlled and linkable with each other for operation. And it is applicable for large-scale live performances, theater, studio, nightclubs and discos.

The MADPANEL 2510F adopts 25PCS CREE XLamp XML 4-IN-1 10W LEDs which features high brightness and stability. Please carefully unpack it when you receive the fixture and check whether it is damaged during the transportation. And please check whether the following items are included inside the box:



①	Moving Head	1PC
②	Signal Cable	1PC
③	Power Cable	1PC
④	Power Out	1PC
⑤	Omega Clamp	1PC
⑥	Safety Cable	1PC
⑦	User Manual	1PC

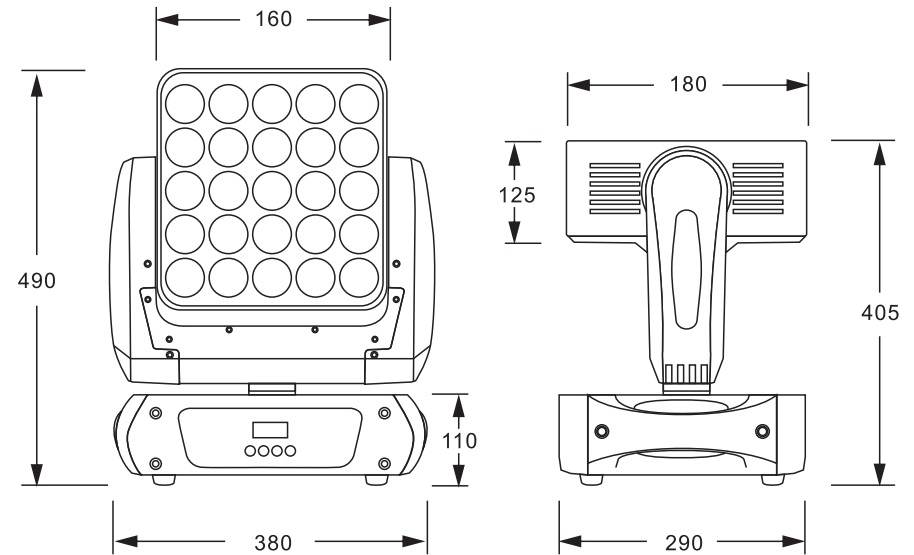
3 FEATURES & SPECIFICATIONS

Features

- 25PCS CREE XLamp XML 4-IN-1 10W LEDs
- 50,000 hours lifespan and low power consumption
- 25 pixels (each LED is a pixel), controllable individually
- Outstanding sharp BEAM effect and remarkable wash effect with pure color mixing
- Specific high efficiency 5° optic system
- High light output, 5450LUX@7M at full RGBW
- Flicker free control
- Smooth, fast and precise infinite (continuous) PAN/TILT movement
- Scan position memory, auto reposition after unexpected movement
- High speed strobe effect with 1-25 flashes per second
- 0-100% smooth linear LED dimmer
- Amazing visual effect by pro control
- Internal program available
- Default pixel macros effect for easy performance
- 16/20/116 DMX Channels USITT DMX-512
- DMX512, master-slave and sound activated controllable or auto operation
- Specific computer control software as optional
- High definition blue LCD display
- Efficient low noise fan cooling system
- POWERCON IN/OUT
- 3-pin XLR connectors IN/OUT
- Two 1/4 turn fastening Omega Clamps
- Constant temperature readout and management function
- DB rating@1M=54.18dB
- IP20 protection rating
- -35°C to 45°C ambient temperature

Specifications

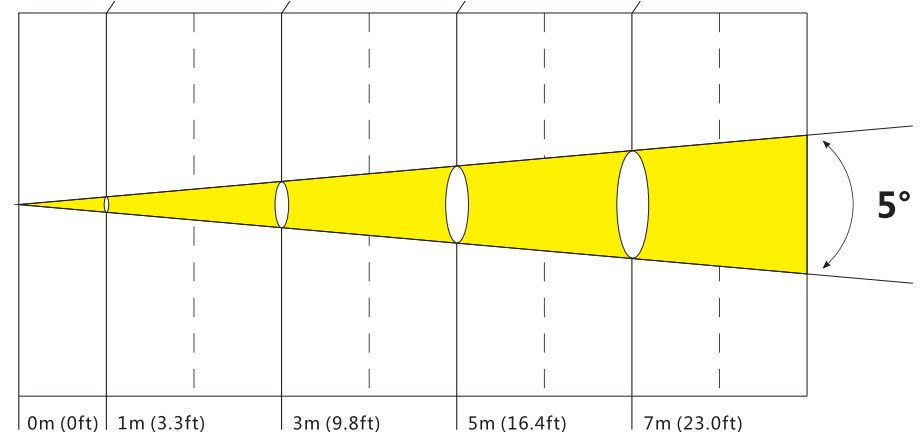
- Input Voltage:** AC90-260V 50/60Hz
- LED Quantities:** 25PCS CREE XLamp XML 4-IN-1 10W LEDs
- Control Signal:** DMX512, master-slave and sound activated or auto operation
- Control Channel:** 16/20/116 DMX Channels USITT DMX-512
- Power Consumption:** 300W
- Dimensions:** 290(D)*380(W)*490(H)mm
- Packing Dimensions:** 475(D)*550(W)*420(H)mm
- Net Weight:** 14.92kg
- Gross Weight:** 18.34kg



4 PHOTOMETRIC DATA

Photometric Beam Angle Data 25° Beam Angle $LUX \times 0.0929 = FC$

R	2900 / 31210	516 / 5550	182 / 1960	94 / 1010
G	2937 / 31620	633 / 6810	227 / 2450	116 / 1250
B	4892 / 52660	1020 / 10990	354 / 3810	180 / 1940
W	4546 / 48930	889 / 9570	310 / 3340	164 / 1770
RGBW	13630 / 146720	2770 / 29820	1938 / 10430	506 / 5450 (FC/LUX)



5 OPERATION INSTRUCTIONS

- The moving head is for beam effect for on-site decoration purpose.
- Don't turn on the fixture if it's been through severe temperature difference like after transportation because it might damage the light due to the environment changes. So make sure to operate the fixture until it is in normal temperature.
- This light should be keep away from strong shaking during any transportation or movement.
- Don't pull up the light by only the head, or it might cause damages to the mechanical parts.
- Don't expose the fixture in overheat, moisture or environment with too much dust when installing it. And don't lay any power cables on the floor. Or it might cause electronic shock to the people.
- Make sure the installation place is in good safety condition before installing the fixture.
- Make sure to put the safety chain and check whether the screws are screwed properly when installing the fixture.
- Make sure the lens are in good condition. It's recommended to replace the units if there are any damages or severe scratch.
- Make sure the fixture is operated by qualified personnel who knows the fixture before using.
- Keep the original packages if any second shipment is needed.
- Don't try to change the fixtures without any instruction by the manufacturer or the appointed repairing agencies.
- It is not in warranty range if there are any malfunctions from not following the user manual to operate or any illegal operation, like shock short circuit, electronic shock, lamp broke, etc.

6 INSTALLATIONS

Cautions: For added protection mount the fixtures in areas outside walking paths, seating areas, or in areas were the fixture might be reached by unauthorized personnel.

Before mounting the fixture to any surface, make sure that the installation area can hold a minimum point load of 10 times the device's weight.

Fixture installation must always be secured with a secondary safety attachment, such as an appropriate safety cable.

Never stand directly below the device when mounting, removing, or servicing the fixture.

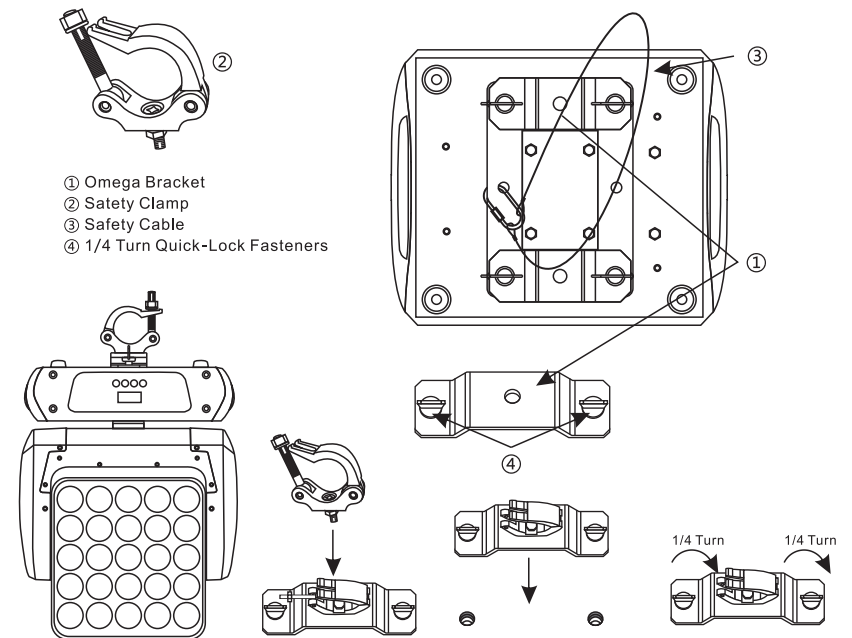
from a ceiling, or set on a flat level surface (see illustration below). Be sure this fixture is kept at least 0.5m (1.5 ft) away from any flammable materials (decoration etc.).

Always use and install the supplied safety cable as a safety measure to prevent accidental damage and/or injury in the event the clamp fails.

Mounting points: Overhead mounting requires extensive experience, including amongst others calculating working load limits, a fine knowledge of the installation material being used, and periodic safety inspection of all installation material and the fixture. If you lack these qualifications, do not attempt the installation yourself. Improper installation can result in bodily injury.

Be sure to complete all rigging and installation procedures before connecting the main power cord to the appropriate wall outlet.

Clamp Mounting: The MADPANEL 2510F provides a unique mounting bracket assembly that integrates the bottom of the base, and the safety cable rigging point in one unit (see the illustration below). When mounting this fixture to truss be sure to secure an appropriately rated clamp to the included omega bracket using a M10 screw fitted through the center hole of the "omega bracket". As an added safety measure be sure to attached at least one properly rated safety cable to the fixture using on of the safety cable rigging point integrated in the base assembly.



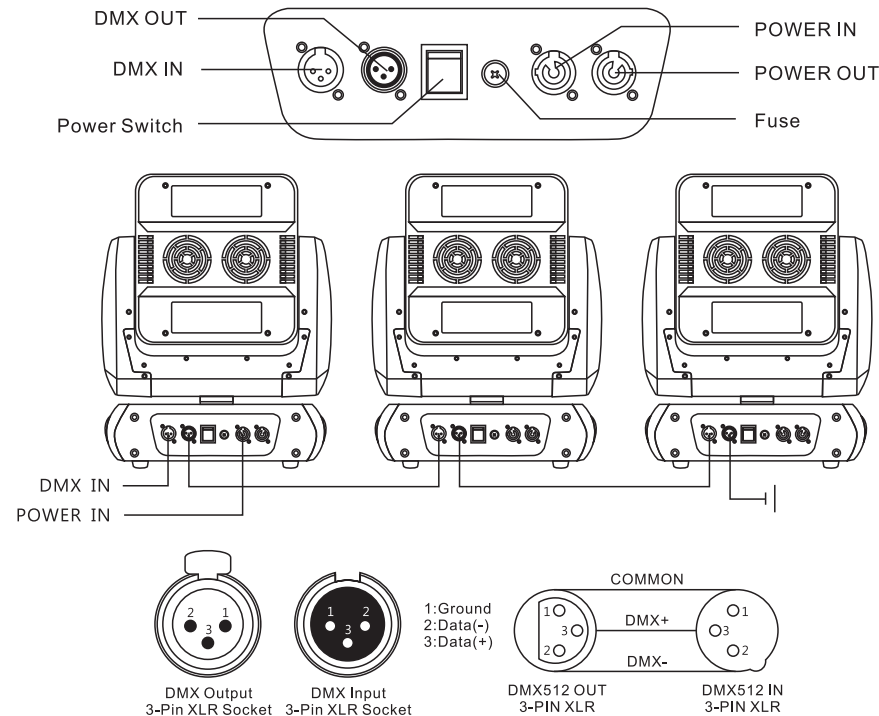
Regardless of the rigging option you choose for your MADPANEL 2510F, always be sure to secure your fixture with a safety cable. The fixture provides a built-in rigging point for a safety cable on the hanging bracket as illustrated above. Be sure to only use the designated rigging point for the safety cable and never secure a safety cable to a carrying handle.

7 DMX-512 CONTROL CONNECTIONS

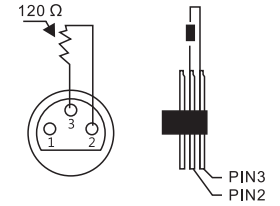
Connect the provided XLR cable to the female 3-pin XLR output of your controller and the other side to the male 3-pin XLR input of the moving head. You can chain multiple

Moving head together through serial linking. The cable needed should be two core, screened cable with XLR input and output connectors. Please refer to the diagram below.

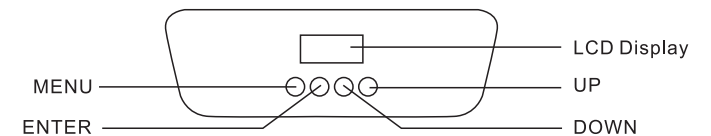
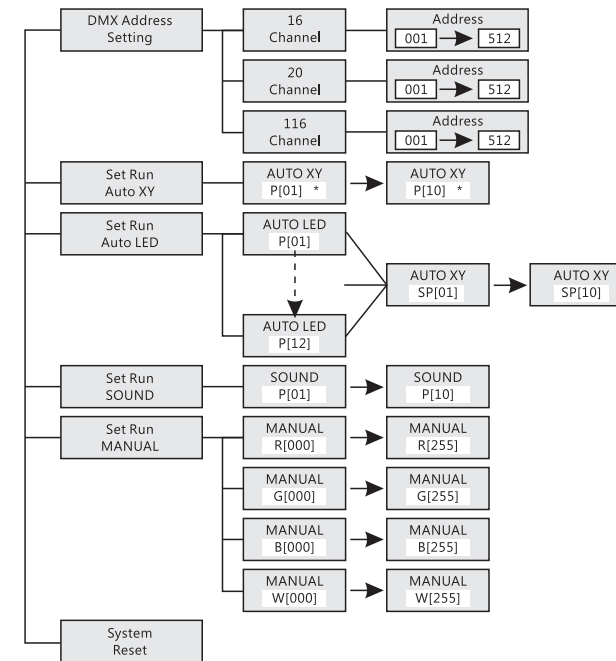
DMX-512 connection with DMX terminator



For installations where the DMX cable has to run a long distance or is in an electrically noisy environment, such as in a discotheque, it is recommended to use a DMX terminator. This helps in preventing corruption of the digital control signal by electrical noise. The DMX terminator is simply an XLR plug with a 120 Ω resistor connected between pins 2 and 3, which is then plugged into the output XLR socket of the last fixture in the chain. Please see illustrations below.



8 MENU OPERATIONS



9 DMX CHANNELS

Mode/Channel			Function	Values	Description
16CH	20CH	116CH			
1	1	1	Pan	0-20	No function
				21-50	Forward PAN movement
				51-100	Backword PAN movement
				101-178	Continuous forward PAN movement
				179-255	Continuous Backword PAN movement
2	2	2	Tilt	0-20	No function
				21-50	Forward TILT movement
				51-100	Backword TILT movement
				101-178	Continuous forward TILT movement
				179-255	Continuous Backword TILT movement
3	3	3	Pan Fine	0-255	Fine control of PAN movement
4	4	4	Tilt Fine	0-255	Fine control of TILT movement
5	5	5	Speed	0-255	Speed control of PAN/TILT from fast to slow
6	6	6	Built-in Program (image)	0-47	No function
				48-63	Single control.
				64-79	LED Chase
				80-95	LED Run
				96-111	LED Jump
				112-127	LED Edacity
				128-143	LED Grouping
				144-159	Image 1
				160-175	Image 2
				176-191	Image 3
				192-207	Image 4
				208-255	Image 5
				224-239	Sound Mode
				240-245	Sound mode with movement
246-255	Total Program				
7	7	7	Built-in Program (Numbers/Symbols)	0-8	No function
				9-17	0
				18-26	1
				27-35	2
				36-44	3
				45-53	4
				54-62	5
				63-71	6
				72-80	7
				81-89	8

				90-98	9
				99-107	+
				108-116	-
				117-125	x
				126-134	÷
				135-143	/
				144-152	<
				153-161	>
				162-170	?
				171-179	!
				180-188	*
				189-197	Ó
				198-206	#
				207-215	Á
				216-224	Ç
				225-233	(
				234-242)
				243-255	Total Program
8	8	8	Built-in Program (Letters)	0-8	No Function
				9-17	A
				18-26	B
				27-35	C
				36-44	D
				45-53	E
				54-62	F
				63-71	G
				72-80	H
				81-89	I
				90-98	J
				99-107	K
				108-116	L
				117-125	M
				126-134	N
				135-143	O
				144-152	P
				153-161	Q
				162-170	R
				171-179	S
180-188	T				
189-197	U				
198-206	V				
207-215	W				
216-224	X				

				225-233	Y
				234-242	Z
				243-255	Total Program
9	9	9	Speed	0-255	Speed control of built-in programs from slow to fast
10	10	10	Strobe	0-255	Strobe effect from slow to fast and random strobe effect
11	11	11	Dimmer	0-255	0-100% Linear dimmer from dark to bright (available for build-in programs)
12	12	12	Red	0-255	0-100% Red dimmer from dark to bright
13	13	13	Green	0-255	0-100% Green dimmer from dark to bright
14	14	14	Blue	0-255	0-100% Blue dimmer from dark to bright
15	15	15	White	0-255	0-100% White dimmer from dark to bright
	16		LEDLINE1	0-7	LED 1 , 2 , 3 , 4 & 5 ON
	17		LEDLINE2	8-15	LED 1 ON
	18		LEDLINE3	16-23	LED 2 ON
	19		LEDLINE4	24-31	LED 1 & 2 ON
	20		LEDLINE5	32-39	LED 3 ON
			LEDLINE6	40-47	LED 1 & 3 ON
			LEDLINE7	48-55	LED 2 & 3 ON
			LEDLINE8	56-63	LED 1 , 2 & 3 ON
			LEDLINE9	64-71	LED 4 ON
			LEDLINE10	72-79	LED 1 & 4 ON
			LEDLINE11	80-87	LED 2 & 4 ON
			LEDLINE12	88-95	LED 1 , 2 & 4 ON
			LEDLINE13	96-103	LED 3 & 4 ON
			LEDLINE14	104-111	LED 1 , 3 & 4 ON
			LEDLINE15	112-119	LED 2 , 3 & 4 ON
			LEDLINE16	120-127	LED 1 , 2 , 3 & 4 ON
			LEDLINE17	128-135	LED 5 ON
			LEDLINE18	136-143	LED 1 & 5 ON
			LEDLINE19	144-151	LED 2 & 5 ON
			LEDLINE20	152-159	LED 1 , 2 & 5 ON
			LEDLINE21	160-167	LED 3 & 5 ON
			LEDLINE22	168-175	LED 1 , 3 & 5 ON
			LEDLINE23	176-183	LED 2 , 3 & 5 ON
			LEDLINE24	184-191	LED 1 , 2 , 3 & 5 ON
			LEDLINE25	192-199	LED 4 & 5 ON
			LEDLINE26	200-207	LED 1 , 4 & 5 ON
			LEDLINE27	208-215	LED 2 , 4 & 5 ON
			LEDLINE28	216-223	LED 1 , 2 , 4 & 5 ON
			LEDLINE29	224-231	LED 3 , 4 & 5 ON
			LEDLINE30	232-239	LED 1 , 3 , 4 & 5 ON
			LEDLINE31	240-247	LED 2 , 3 , 4 & 5 ON
			LEDLINE32	248-255	No function

		16	LED Group 1	0-255	From dark to bright
		17	LED Group 2	0-255	From dark to bright
		18	LED Group 3	0-255	From dark to bright
		19	LED Group 4	0-255	From dark to bright
		20	LED Group 5	0-255	From dark to bright
		21	LED Group 6	0-255	From dark to bright
		22	LED Group 7	0-255	From dark to bright
		23	LED Group 8	0-255	From dark to bright
		24	LED Group 9	0-255	From dark to bright
		25	LED Group 10	0-255	From dark to bright
		0-255	From dark to bright
		112	LED Group 97	0-255	From dark to bright
		113	LED Group 98	0-255	From dark to bright
		114	LED Group 99	0-255	From dark to bright
		115	LED Group 100	0-255	From dark to bright
16		116	Reset	0-255	No function
				253-255	Reset

10 MAINTENANCE AND CLEANING

The following points have to be considered during the inspection:

- 1) All screws for installing the devices or parts of the device have to be tightly connected and must not be corroded.
- 2) There must not be any deformations on the housing, color lenses, fixations and installation spots (ceiling, suspension, trussing).
- 3) Mechanically moved parts must not show any traces of wearing and must not rotate with unbalances.
- 4) The electric power supply cables must not show any damage, material fatigue or sediments.

Further instructions depending on the installation spot and usage have to be adhered by a skilled installer and any safety problems have to be removed.



CAUTION

Disconnect from mains before starting maintenance operation.



In order to make the lights in good condition and extend the life time, we suggest a regular cleaning to the lights.

- 1) Clean the inside and outside lens each week to avoid the weakness of the lights due to accumulation of dust.
- 2) Clean the fan each week.
- 3) A detailed electric check by approved electrical engineer each three month, make sure that the circuit contacts are in good condition, prevent the poor contact of circuit from overheating.

We recommend a frequent cleaning of the device. Please use a moist, lint- free cloth. Never use alcohol or solvents.

There are no serviceable parts inside the device. Please refer to the instructions under "Installation instructions".

Should you need any spare parts, please order genuine parts from your local dealer.